

FIAT TRACTORS LIMITED

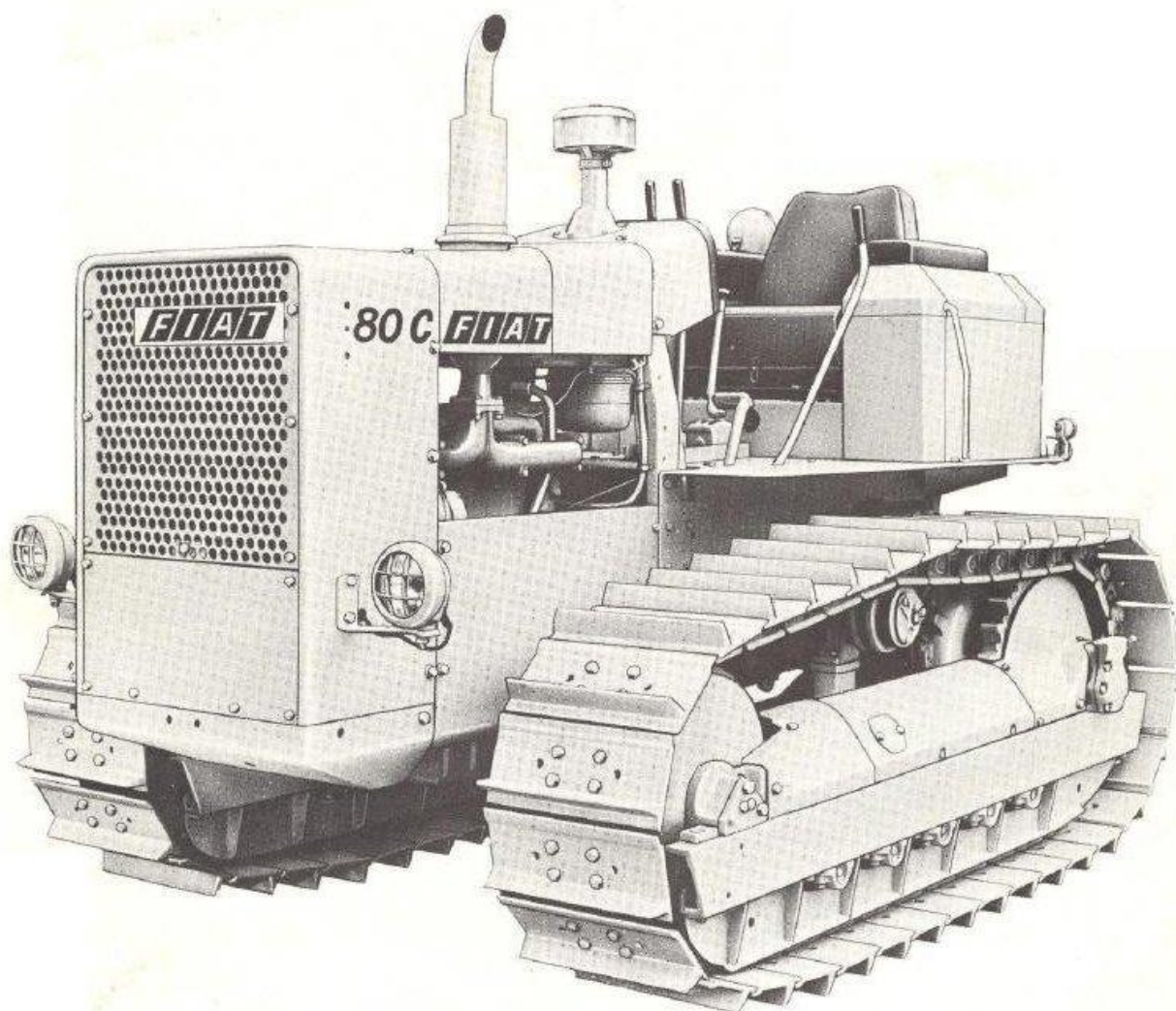
35 Berkeley Square, London W1X 6EE

Telephone : 01-493 5033

FIAT

Preliminary Information

15th October 1971



80C AGRICULTURAL TRACTOR

Engine horsepower, at flywheel	80	
Operating weight (with fuel and water, without operator)	13,850 lb	(6,300 kg)
Shipping weight (without fuel and water)	13,500 lb	(6,150 kg)

Speeds :

Forward :	First	1.3 mph	(2.2 kph)
	Second	2.1 mph	(3.5 kph)
	Third	2.7 mph	(4.4 kph)
	Fourth	3.3 mph	(5.5 kph)
	Fifth	5.0 mph	(8.1 kph)
Reverse :		1.6 mph	(2.7 kph)

Drawbar pulls :

	Average ⁺		Maximum	
	lb	(kg)	lb	(kg)
First	15,840*	(7,200)*	17,490*	(7,950)*
Second	10,120	(4,600)	11,110	(5,050)
Third	8,140	(3,700)	8,910	(4,050)
Fourth	6,490	(2,950)	7,150	(3,250)
Fifth	4,840	(2,200)	5,280	(2,400)

+ at 1800 rpm

* trackslip is the limiting factor

Engine - FIAT/OM CO3/130T

Four-stroke cycle, naturally aspirated Diesel, direct injection
 Number of cylinders - 4
 Bore and stroke - 4.5 x 5.1 in (115 x 130 mm)
 Piston displacement - 330 cu. in (5401 cm³)
 Compression ratio - 17.4 : 1
 RPM (governed at full load) - 1800
 Maximum torque - 252 lb/ft (34.5 kg/m) @ 1200 rpm
 Crankshaft - induction hardened, 5 main bearings, precision type
 Dynamically balanced with counter-rotating weights
 Gear-type lubricating pump
 Cooling - water
 Air filter - oil bath with precleaner
 Starting - 24 Volt electric motor
 Alternator - 500 Watts, 24 Volt

Main clutch - dry, single-disc, 14 in. diameter

Gearbox - sliding gears

Final drives - double reduction, crown shaved gears

Steering :

Lever operated, hydraulically boosted, dry multiple-disc type steering clutches

Number of driver plates, per clutch - 11

Self-steering, contracting band brakes, pedal controlled

Hand brake located at right hand side of driving seat

Track roller frames :

Box section construction
Each track frame has 5 track rollers and 1 carrier roller
Rollers and idler are permanently lubricated (long-life)
Hydraulic track adjustment Front suspension : leaf spring

Tracks :

Counterbored track pins
Number of shoes per side 34
Width of track shoes (standard) 17.7 in (450 mm)
Height of grousers 2.1 in (55 mm)
Track gauge 61 in (1550 mm)
Length of track on ground 71 in (1759 mm)
Area in contact with ground :
 with standard 17.7 in shoes 2,512 sq. in (16,155 cm²)
 with optional 23.6 in shoes 3,350 sq. in (21,540 cm²)
Pressure of tracks on ground :
 with standard 17.7 in shoes 5.5 psi (0.39 kg/cm²)
 with optional 23.6 in shoes 4.2 psi (0.30 kg/cm²)

Swinging drawbar :

Height of clevis above ground,
 two position 13.8 in (352 mm) - 10.04 in (260 mm)
Total lateral movement 26.8 in (680 mm)
Pin diameter 1.38 in (35 mm)

Driver's seat :

Fully upholstered, adjustable fore and aft with adjustable seat and backrest

Capacities :

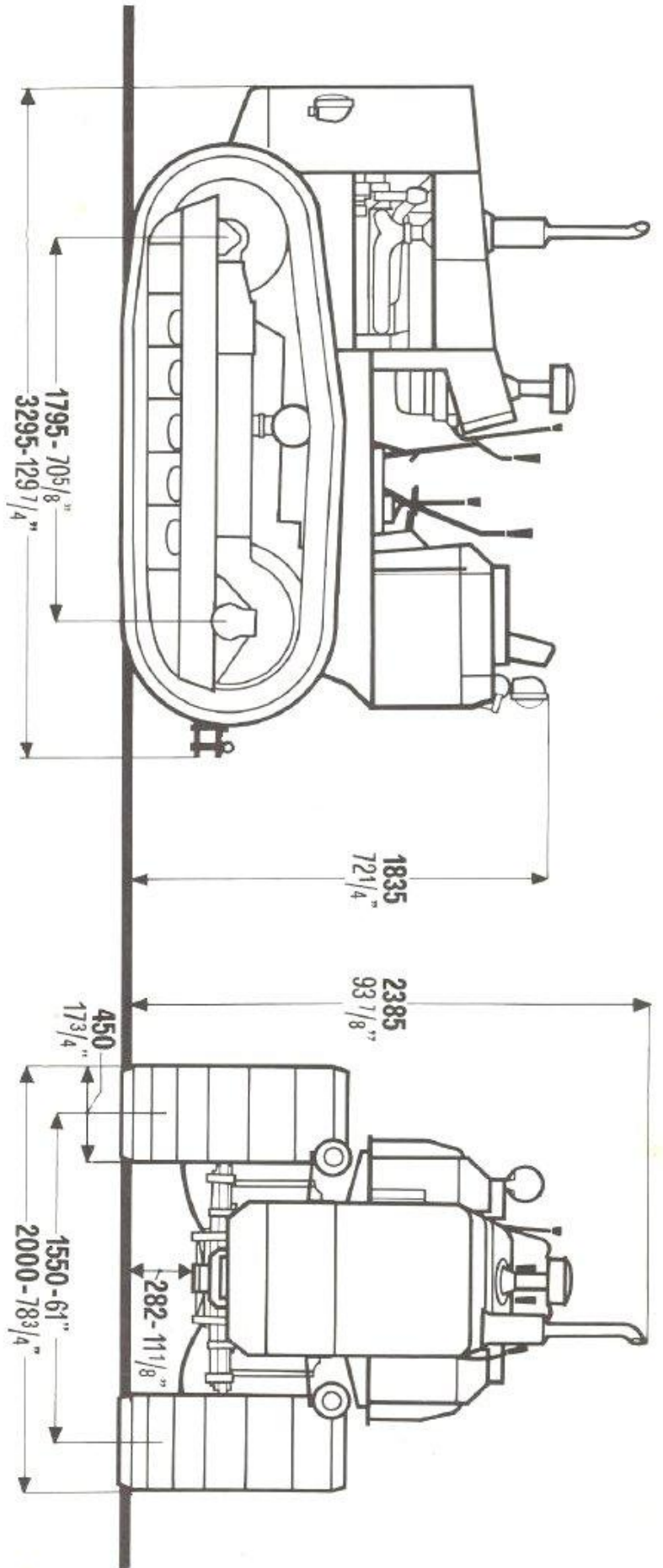
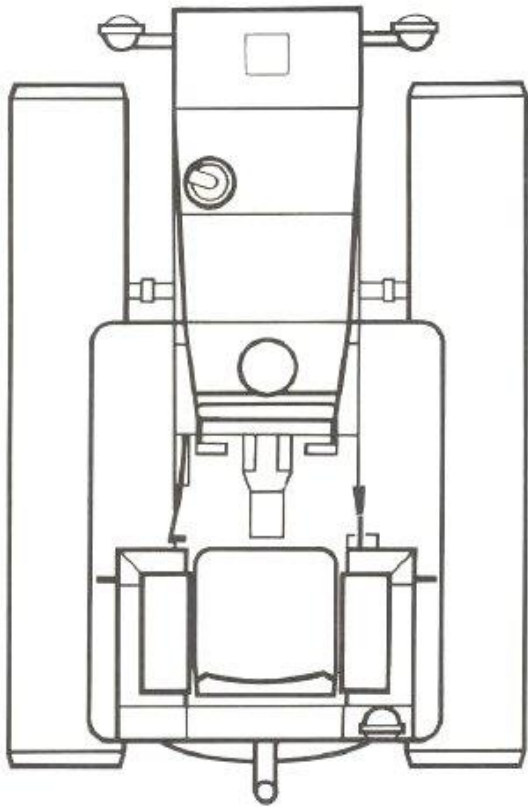
Fuel tank 27.6 gall (125 litres)
Cooling system, water 4.8 gall (22 litres)
Engine crankcase lubricating oil 26.4 lb (12 kg)
Master clutch, gearbox and trans-
 mission lubricating oil 45.1 lb (20.5 kg)
Final drives (each side) lubricating oil 17.6 lb (8 kg)
Hydraulic system oil 63.9 lb (29 kg)

Standard equipment :

Lighting system (includes rear floodlight)
Hourmeter Swinging drawbar
Track roller guards 17.7 in shoes
Sprocket shields Hydraulic track adjustment

Attachments and optional equipment :

3 point hydraulic lift for fully mounted implements (including ploughs)
Power take-off 1.3/8 in splined shaft, 670 rpm
Belt pulley, diameter 14.1 in (360 mm)
 belt width 7.8 in (200 mm)
 speed 1031 rpm
 belt speed 63.6 ft/sec (19.4 m/sec)
23.6 in shoes
cab



FIAT
80C